

Round container 250ml/ 95mm sealing

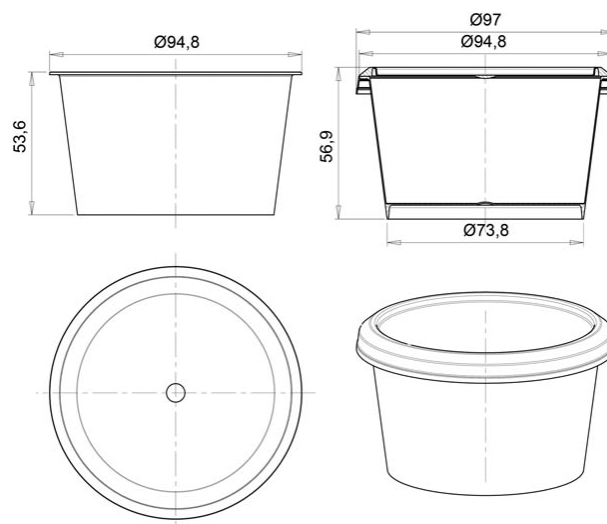
Product code: 00028124



Volume, ml	250
Lid size, mm	95
Height, mm	53,6
Base shape	Round
Side wall shape	Straight
Types of closures	Heat Sealing
Types of lids	Snap-on lid
IML on body	Yes
IML on the lid	Yes



Minimum order quantity	Body	Lid	Set
Pieces per box	720	2 160	2 160
Logistics	Body	Lid	Set
Pieces per box	720	2 160	2 160
Box size (mm)	600x400x225	600x400x295	-
Box weight with product (kg)	7,4	8,8	31
Volume (m3)	0,064	0,084	0,276
Quantity of boxes (pcs)	3	1	4
Quantity in pallet (pcs)	23 040	60 480	-
Pallet weight with goods (kg)	259	267	-
Pallet height with goods (m)	1,95	2,04	-



 Fish processing

 Dairy products

 Confectionery

 HoReCa

 Fats & Oils

 Cooking

 Laquers & Paints

 Pet food

 Cosmetics

 Fasteners

 Fishing gear

 Household chemicals

